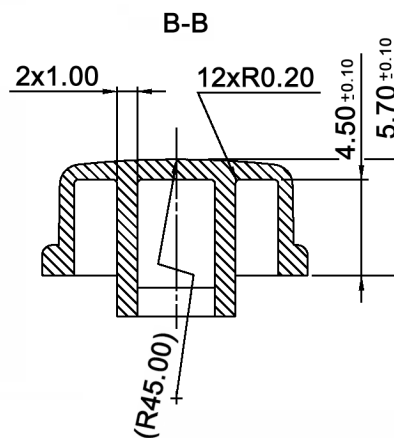
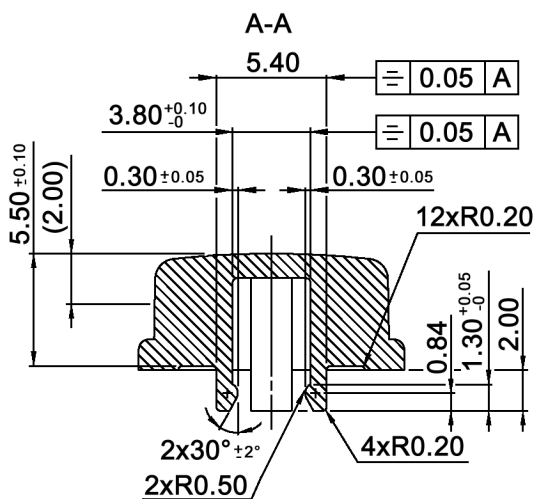


x	Cap color
G	green
Y	yellow
B	blue
R	red
I	ivory
K	black



Compliance: RohS II (2011/65/EU)

Tolerances: ±0.05mm max.		Date	Name
		07/07	dr
Revised	07/14	dr	
Modifications	Date	Name	

**KTSC 22 x**

**30 11 65**

**knitter-switch**

Page

1/1